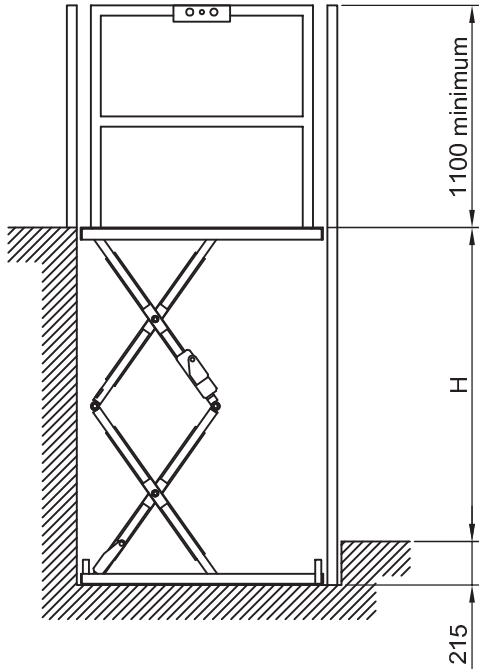
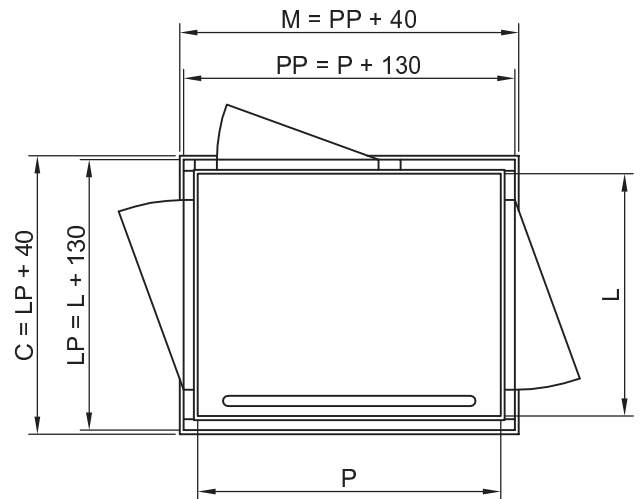
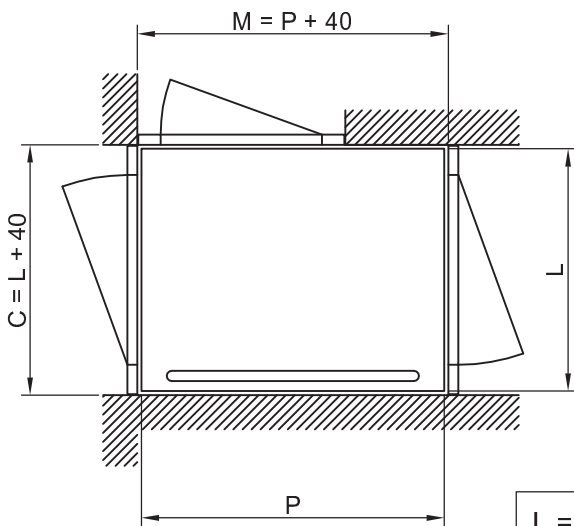
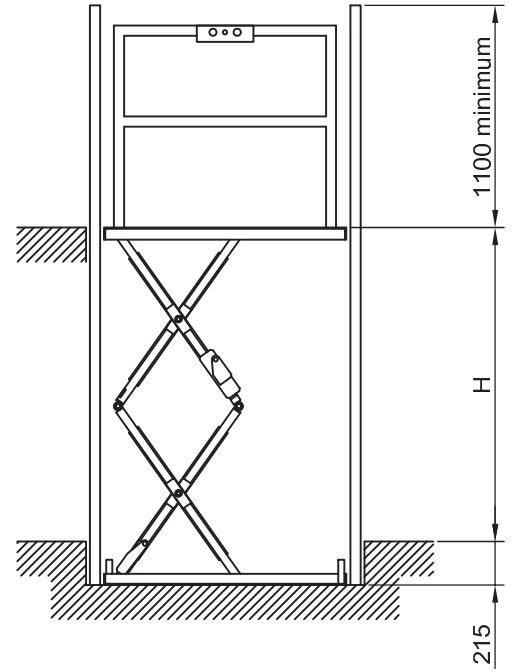


WALL SHAFT



ENCLOSURE



L = platform width
 P = platform length
 M = pit width
 C = pit length
 H = maximum travel
 LP = enclosure width
 PP = enclosure length

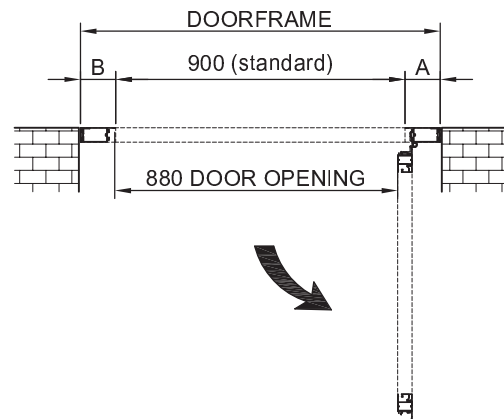
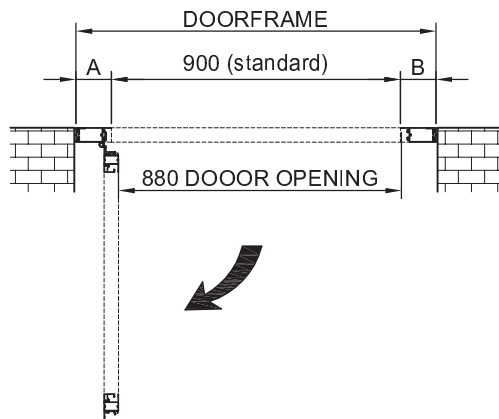
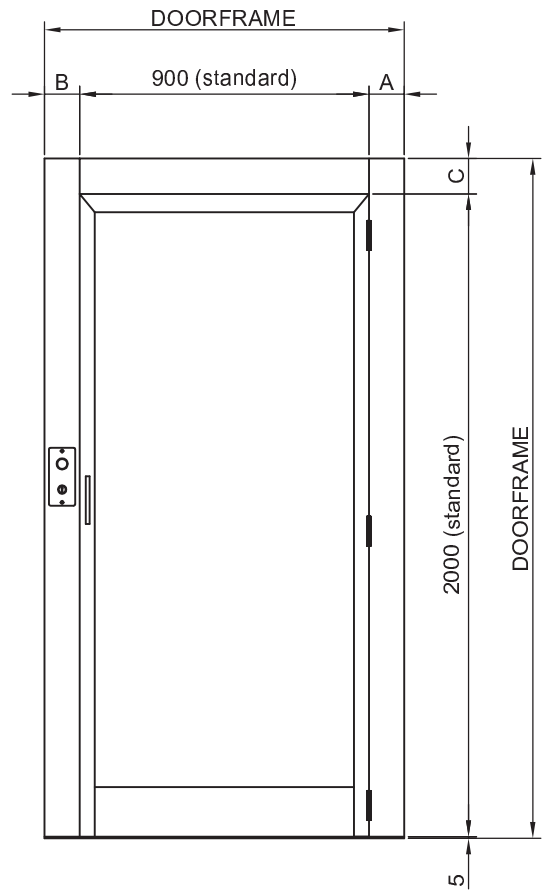
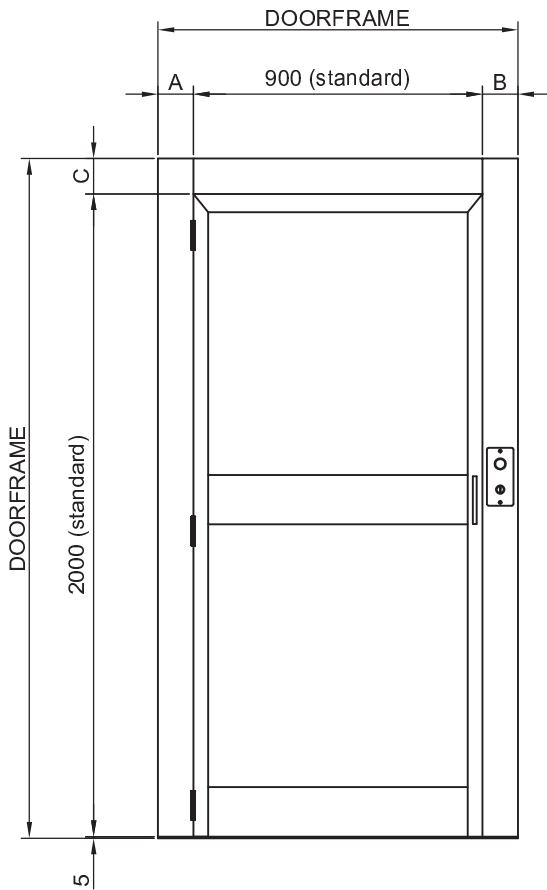
DIMENSIONS

L [mm]	P [mm]	H [mm]
from 900 to 1200	from 1200 to 1500	1600

extrima[®]

TEOREMA PLATFORM

Rev./Revision	Data / Date	Disegnato da / Drawn by	Descrizione / Description	Codice / Code
			TECHNICAL DATA	



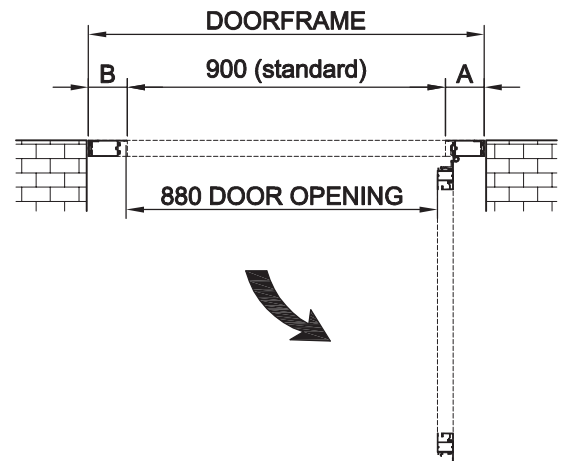
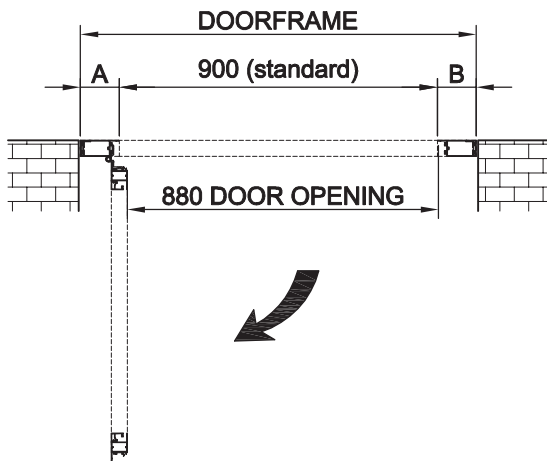
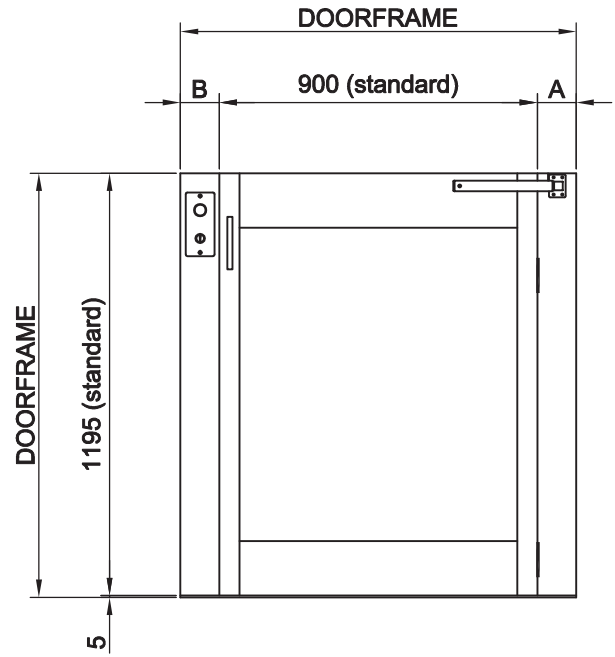
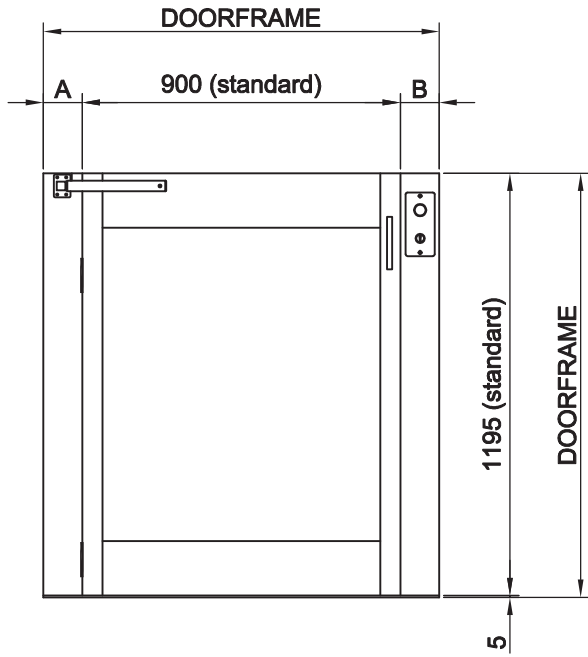
		HINGE-SIDE FRAME (A)	HANDLE-SIDE FRAME (B)	UPPER DOOR FRAME (C)
PROFILE CHASSIS	220 mm	available on demand	available on demand	available on demand
	145 mm	necessary with vertical door automation Came type	available on demand	necessary with horizontal door automation Ditec type
	110 mm	standard	standard	standard
	50 mm	check space for door closer installation	with remote floor control and electrical door lock on the upper door frame (*)	door lock on vertical frame
	5 mm	only for self-supporting shaft	only for self-supporting shaft (*)	not available


(*) only with electromagnetic lock



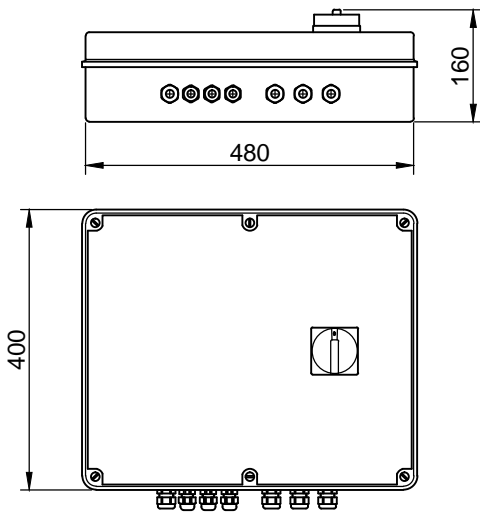
ALUMINIUM FLOOR

Rev./Revision	Data / Date	Disegnato da / Drawn by	Descrizione / Description	Codice / Code
			DOOR FRAME CONFIGURATION	

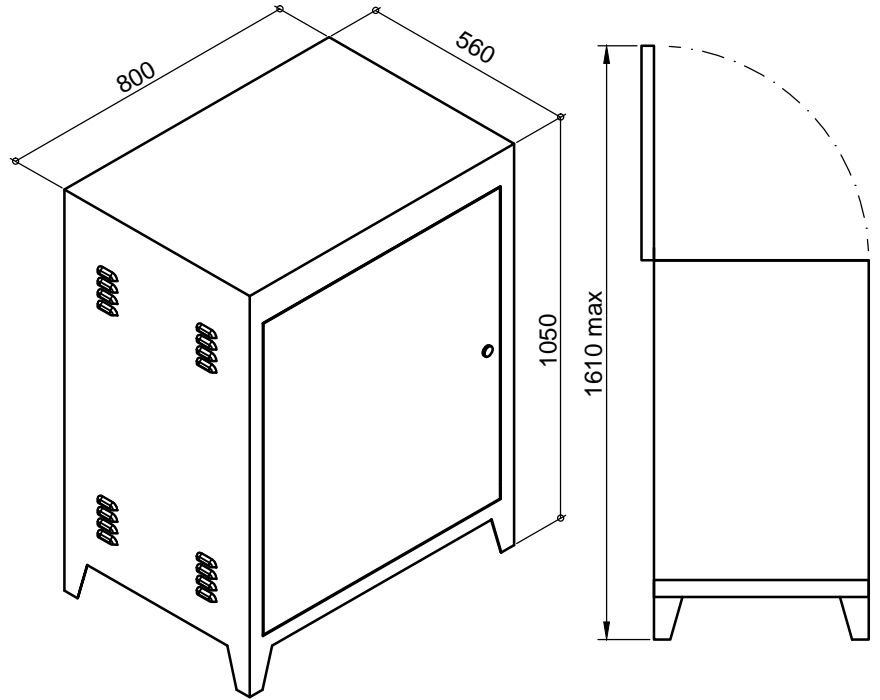


		HINGE-SIDE FRAME (A)	HANDLE SIDE FRAME (B)
PROFILE CHASSIS	220 mm	available on demand	available on demand
	145 mm	necessary with vertical door automation Came type	available on demand
	110 mm	standard	standard
	50 mm	available on demand	not available
	5 mm	not available	not available
		FLOOR WICKET	
Rev./Revision	Data / Date	Disegnato da / Drawn by	Descrizione / Description
			DOOR FRAME CONFIGURATION
			Codice / Code

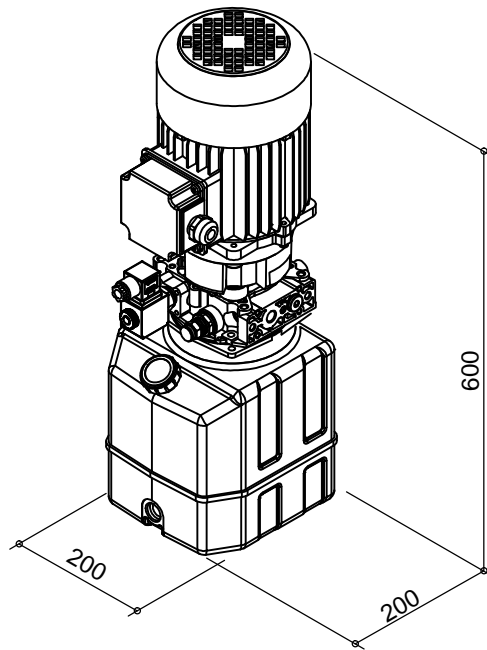
TEOREMA



MAIN CONTROL PANEL



BOX



HYDRAULIC UNIT

extrōma[®]

DIMENSIONS ACCESSORIES

Rev./Revision	Data / Date	Disegnato da / Drawn by	Descrizione / Description